

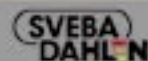
BDM Bun Divider Rounder



Glimek BDM Bun Divider Rounder is treating the dough gently and makes perfectly rounded dough rolls. The design and the levers make the machine ergonomic and easy to use.



Sveba Dahlen Group



Scandinavian know-how – worldwide

BDM Bun Divider Rounder



The dividing disc has a non-stick coating for easy cleaning



The disc can be tilted forward for easy cleaning

The aluminum moulding table reduces the weight of moving parts, thus producing less vibration whilst in operation

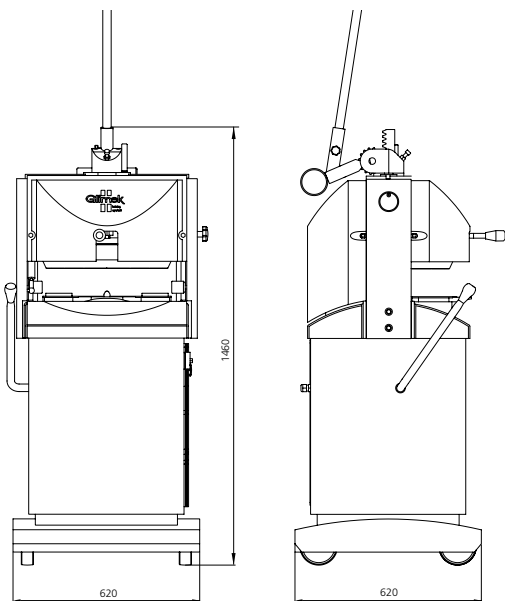
The machine comes with three hygienic moulding plates made of food approved plastic

Accessories

Extra moulding plates BD 2/30	For 2 kilo divided into 30 pcs
Extra moulding plates BD 3/30	For 3 kilo divided into 30 pcs
Extra moulding plates BD 3/36	For 3 kilo divided into 36 pcs
Extra moulding plates BD 3/52	For 3 kilo divided into 52 pcs
Extra moulding plates BD 4/14	For 4 kilo divided into 14 pcs
Extra moulding plates BD 4/30	For 4 kilo divided into 30 pcs
Extra moulding plates BD 4/36	For 4 kilo divided into 36 pcs

Technical data

Model	Divisions	Weight range
BDM-2/30-2	30	25-85 grams
BDM-3/30-2	30	30-100 grams
BDM-3/36-2	36	25-85 grams
BDM-3/52-2	52	18-50 grams
BDM-4/14-2	14	130-250 grams
BDM-4/30-2	30	40-130 grams
BDM-4/36-2	36	30-110 grams
Power supply	0,55 kW	
Weight, net	345 kg	
Weight, gross (carton+pallet)	365 kg	
Gross volume	0,75 x 0,75 x 1,45 = 0,82 m ³	



Glimek AB
 Box 124
 S-280 64 GLIMÅKRA
 Sweden
 Tel. int. +46-(0)44 449 00 • Fax +46-(0)44 449 10
 e-mail: office@glimek.se • www.glimek.se